



Shanghai Flexem Technology Co., Ltd.  
Shenzhen Flexem Technology Co., Ltd. (Branch)

Tel: +86-21-68683993      Technical Support: +86-4008-033-022

Website: [www.flexem.com](http://www.flexem.com)      Email: [sales@flexem.cn](mailto:sales@flexem.cn)

Shanghai (R&D Center)

Address: Floor 11, Building B, NO.298, Guoxia Road,  
Yangpu District, Shanghai, China  
Tel: +86-21-68683993      Fax: +86-21-65107569

Suzhou

Address: Room 505, Ricky Building No.668, Yuting Avenue,  
Suzhou Industrial Park  
Tel: +86-21-68683993

Shenzhen (Factory)

Address: 5 th Floor, NO.2 Building, Lanyun Science Park,  
Tangtou Road, Shiyan Town, Baoan District, Shenzhen, China  
Tel: +86-755-27610681      Fax: +86-755-27629895

Wuxi

Address: Room 1603, Taihu Mingzhu Development Building,  
NO.1890 Taihu West Road, Binhu Distric, Wuxi City  
Tel: +86-21-68683993

Beijing

Address: Room 2008, Building 1, NO.93 Jianguo Road,  
Chaoyang District, Beijing (Wanda Plaza), China  
Tel: +86-10-58204608      Fax: +86-10-58204608

Hangzhou

Address: First Floor, LEO Unit, NO.5 Building, Singapore Science Park,  
6th Road, Xiasha Development Zone, Hangzhou  
Tel: +86-512-68683993



Intelligent Machine Networking with Cloud Computing Service



FBox-WeChat public number



Q&A online



## We will push devices intelligence step by step.

Shanghai Flexem Technology Co.Ltd is one IoT solution and automation provider, and we can provide controller, indication and data connection service for devices manufacturer and supplier,

On-site and cloud IoT platform etc automation and information solution to improve efficiency, reduce the cost, optimize management and push devices intelligence.

With over 20 years industrial automation, Flexem endeavors to provide flexibl, open, high performance IoT hardware solutions, largely applicable used into industrial devices and the industry includes HVAC,water supply, environment protection, textiles, packing and mechanic process devices.



The head office of the corporation locates into Shanghai, production and logistic center in Shenzhen, business covers mainstream market and tens of countries, now we have over 200 sets of employees, tens of patents and software authorization, IoT connections are over 50W+.

## Core Ability

**Over 50**  
IoT Platform technical research results

**Over 300**  
industrial protocols

**Over 50**  
industrial application service scene

**Over 80**  
hardware and software R&D engineer

**Over 50W**  
devices connection

## Development History



### 2015-2020 IoT Industrial Gateway

2019.01

Flexem pushes automation and IoT gateway HMI and IoT Gateway PLC, make IoT gateway and automation products together to improve products performance and competitiveness.

2017.03

Flexem issued one cloud software platform FlexCloud, develops one new cloud configuration technology, through cloud to realize configuration and monitoring.

2015.03

Flexem pushes Flexem FBox, by using advanced technology to realize large scale devices communication, data transfer and remote operation function etc.



### 2021-Future Devices Intelligence

2021.11

Flexem FLS Series intelligent PLC issued with IoT and motion controller function, with FSU software, very convenient and easy to use.

2021.08

Flexem issued factory digital software FLEXMI, convenient for user deploy on-site cloud web server monitor, managing and analysis.

2021.11

Flexem got country grade new little giants.



### 2010—2014 Devices automation

2014.12

Flexem issues our own new configuration software FStudio, used in fully series products.

2012.09

Flexem issues our own capacitive industrial HMI, at first time makes capacitive HMI and gestures into the industrial HMI which is of good meanings.

2010.03

Flexem issues head office into Shanghai, production and logistic center set up in Shenzhen.



## Flexem Industrial IoT Frame

Flexem owns complete IoT industrial solutions, covering from devices control, connection and on-site managing and cloud monitoring whole set software and hardware products, facing to devices ,manufacturer, devices user, and software service etc functions.



## Solution Function



### Remote Transparent Transmission PLC

You can realize remote PLC program download, upload and monitor, no need walk out to solve in-site problems.



### Historical Data Checking

You can check, save devices historical data, through curve or table to display to lead out locally.



### Data Remote Monitoring

You can realize devices data monitoring through web or mobile APP to gasp devices running status and modify correspondent parameters.



### Data Summarization and Annalysis

You can summarize devices energy consumption data, faculty, then check and efficient count by devices for analysis research, service, and sales different Department.



### Device Alarm Push

You can push devices faculty status through SMS, wechat and voice to gasp devices running status.



### Improve after-sales service efficiency

You can improve after-sales service efficiency through IoT platform.

## IIoT Gateway: FBox

FBox is the IIoT gateway products of FLEXEM industrial IIoT solutions. It is used to connect devices such as PLC, gauges and inverters in the field. It can transmit device data to FLEXEM cloud through broadband and WiFi, 4G and other Internet access methods in the cloud platform.



## FBox Specification

Model	FBox	FBox-4G	FBox-WiFi	FBox-VPN	FBox-5G
Positioning	Basic version	4G version	WiFi version	vpn version	5G version
<b>Hardware Specification</b>					
CPU	600MHz ARM Cortex-A8		600MHz ARM Cortex-A8		800MHz ARM Cortex-A8
Memory	128MB Flash+128MB DDR3		128MB Flash+128MB DDR3		256MB Flash+256MB DDR3
IO Port	2 optically isolated digital point inputs, 2 relay outputs (max 5A)		2 optically isolated digital point inputs, 2 relay outputs (max 5A)		NA
Input Power	DC24V, working range DC 9V~28V		DC24V, working range DC 9V~28V		DC24V, working range DC 18V~28V
Shell Material	Engineering plastic		Engineering plastic		Aluminum alloy
Dimension	130mm x94mm x48mm		130mm x94mm x48mm		138mm x95mm x45mm
Weight	About 300g	About 320g	About 305g	About 305g	About 500g
Mounting	Standard rail mounting		Standard rail mounting		
antenna	—	FEA-YT	FEA-WiFi	—	5g antenna (standard), GPS antenna (optional)
<b>Communication Specification</b>					
Model	FBox	FBox-4G	FBox-WiFi	FBox-VPN	FBox-5G
Networking Mode	Wired network	Wired network/GPRS/4G	Wired network/WiFi	Wired network	5G/4G/GNSS/Wired network
Network Frequency Range	NA	LTE FDD: B1/B3/B5/B8 LTE TDD: B38/B39/B40/B41 WCDMA: B1/B8 TD-SCDMA: B34/B39 CDMA: BC0 GSM: 900/1800MHz	IEEE802.11b/g/n compatible WLAN IEEE 802.11e QoS Enhancement (WMM)	NA	5GNR: n1/n28/n41/n77/n78/n79 4G LTE FDD: B1/B2/B3/B5/B7/B8/B20/B28 4G LTE TDD: B34/B38/39/B40/B41 WCDMA:B1/B3/B5/B8
Ethernet port	10M/100M adaptive port *3		10M/100M adaptive port *3		10M/100M WAN port *1 10M/100M LANport *4
COM Port	COM1: RS232/RS485/RS422; COM2: RS485; COM3: RS232		COM1: RS232/RS485/RS422; COM2: RS485; COM3: RS232		COM1: RS232/RS485/RS422; COM2/COM4: RS485; COM3: RS232
USB Port	USB Device2.0 TypeB*1, USB Host2.0 TypeA*1		USB Device2.0 TypeB*1, USB Host2.0 TypeA*1		
<b>Software Specification</b>					
Data Monitoring	Available		Available		
Historical Data	Available		Available		
Common Transparent Transmission	Available		Available		
VPN Transparent Transmission	NA	Available	Available		
Edge Computing	Available		Available		
API Port	Available		Available		
Maintenance and Management	It supports remote upgrade firmware,		it supports import and export configuration files		
Data Monitoring	300 points	500 points	300 points	300 points	1000 points
Alarm Entry	100 points	200 points	100 points	100 points	400 points
Historical Entry	30 points	100 points	30 points	30 points	200 points
Historical Data Retention Time	90 days	180 days	90 days	90 days	180 days



# IloT PLC



Simple control, safe choice



### Free power downloading

FLEXEM IloT PLC powers up the CPU of the unit through the USB cable when the unit has no external power supply, and completes the program downloading.



### Hidden BD module interface

FLEXEM IloT PLC has a hidden BD module interface that can connect AI/O templates, DI/O templates and other communication templates to save space and reduce costs.

## PLC Main Machine

Model		FC5-20MR-AC	FC5-30MR-AC	FC5-40MR-AC
Input		12 counts	18 counts	24 counts
Output		8 counts	12 counts	16 counts
Expansion	IO Expansion Module	At Most 3		
	Expansion Module	1		2
	Modbus Communication	2 Ports(1 DB9, 1-line terminal platforms)		
Ports	USB Type-C	It supports upload and download, online monitoring.		
	RS232/RS485	Port 1 RS232/RS485 compatible, Port 2 RS485; Baud Rate:4800-115200Bps		
	Ethernet	1 RJ45,10/100M, self-adaptive		
Real-time Clock		Supported by internal batteries, error is 3S/day, after power off it can maintain for 1 year		
Wiring Institute		dismantable terminal platforms		
AC Power Charge Supply	Power Consumption	<30W		
	Voltage	AC85-264V,50Hz, with protection by over voltage		
DC Power Supply	Power Consumption	32W	40W	
	Voltage	DC20.4~28.8V, over-voltage protection		
DC 24V Output		22~27V 500mA		
Power Loss Allowed		100ms		
Voltage Bearance Test		L,N terminals ground terminals 1500VAC, 1 minute		
Noise Resistance		1500VP-P, pulse width 1uS		
Anti-vibration		5~13.2Hz Amplitude of vibration 7mm, 13Hz~100Hz, acceleration 2G, X,Y,Z Triaxial direction each 20 times		
Anti-shock		Positive rotation, accelerating 15G, last 11ms, X,Y,Z triaxial direction for 6 times		
Anti-corrosion		Spraying thickness of three-layer wet-proof film>20uM		
Standard		IEC61131-3		
Environment Humidity		Working Temperature: -10℃~60℃ Storage Temperature: -20℃~70℃		
Altitude		5%~95% (non condensate)		
Heat Dissipation Mode		Natural Cooling		
Mechanic Structure		Engineering plastics		
Cooling		Natural Cooling		
Dimension		125mm×90mm×83mm	172mm×90mm×83mm	
Software		FS-Unified		

### Notes:

FC5 Series Expansion module supports 3 expansion module, when expansion module quantity is too much, module IO signal electricity suggestion: by using external switch power input, not mainbody DC24v output connection, to avoid main machine internal power too large consumption to cause abnormal working situation.



### Digital IO Expansion Module

Model F5-MD*	0800	0404N	0404R	0008N	0008R	1600	0016N	0016R	0808N	0808R
24VDC low-speed Input	8 counts	4 counts	4 counts	—	—	16 counts	—	—	8 counts	8 counts
Output	Relay	—	—	4 counts	—	8 counts	—	—	16 counts	8 counts
	Transistor	—	4 counts	—	8 counts	—	—	16 counts	8 counts	—
Signal Indication	Available									
Input Power	24VDC-15%/+20%,3.2W max, mainbody inside to provide, no need external output									
Wiring Institute	Dismantable terminals									
Working way	Canot work separately, it needs PLC mainbody using									
Operating Temperature	-10~60 C									
Storage Temperature	-20~70 C									
Operating Humidity	5%~95%RH (No Condensate)									
Shell Material	Engineering plastic									
Installation	Can directly install in DIN46277(width 35mm)guide rail or screw using									
Dimension	40mmx90mmx83mm					66mmx90mmx83mm				
Weight	100g					150g				

### Analog Expansion Module

Model	0400A	0004A	0800A	0404A
Input	4 counts	—	8 counts	4 counts
Output	—	4 counts	—	4 counts
Resolution	16-bit			
Input/Output Signal Range	Input: Voltage -10V~10V, electricity:0~20mA, output: voltage:0V~10V, electricity:0~20mA			
Full Range	User self denifition(-30000~30000)			
Conversion accuracy	±0.2%	±0.5%	±0.2%	Input: ±0.2% Output: ±0.5%
Maximum Input Signal Allowed	Voltage:30V, Electricity: 30mA	—	Voltage:30V, Electricity: 30mA	Voltage:30V, Electricity: 30mA
Input Impedance	Voltage>200Kohms Electricity<250ohms±5%	—	Voltage>200Kohms Electricity<250ohms±5%	Voltage>200Kohms Electricity<250ohms±5%
Output loading Allowed	—	Voltage>2K ohms Electricity<250ohms	—	Voltage>2K ohms Electricity<250ohms
Power Input	24VDC-15%/+20%,3.2W ,max, main machine supply from inner side, no need external wiring			
Wiring Institute	Dismantable terminals			
Working way	Canot work separately, it needs PLC mainbody using			
Operating Temperature	-10~60°C			
Storage Temperature	-20~70°C			
Operating Humidity	5%~95%RH (No Condensate)			
Shell Material	Engineering plastic			
Installation	Can directly install in DIN46277(width 35mm)guide rail or screw using			
Dimension	40mmx90mmx83mm		66mmx90mmx83mm	
Weight	100g		150g	

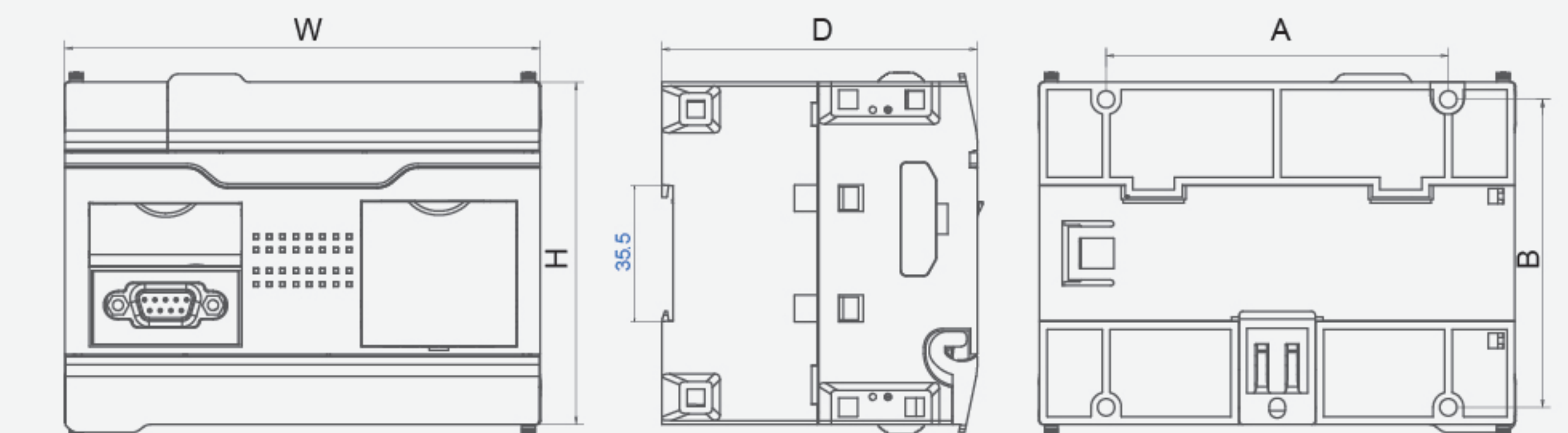
### PLC Installation Size

Model	Module	Slideway Size	Screw Installation Size		Dimension
			A	B	W×H×D
FC5-20MΔ-◎	20 counts	35mm	90mm	81mm	125mm×90mm×83mm
FC5-30MΔ-◎	30 counts	35mm			
FC5-40MΔ-◎	40 counts	35mm	137mm	81mm	172mm×90mm×83mm

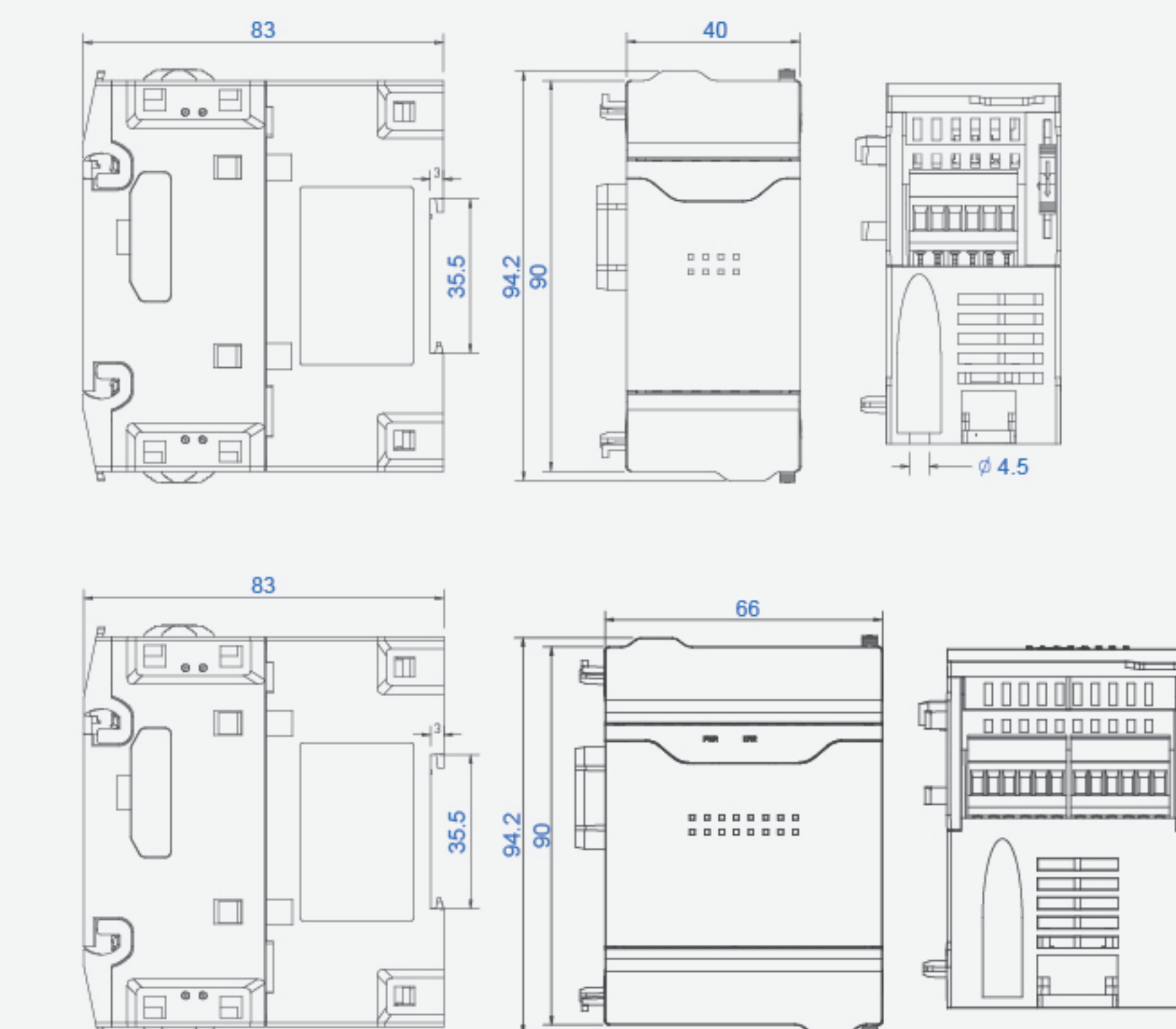
### Notes:

1. When products model sign, when the sign is R-mainbody output is relay model, and the sign is N or P, mainbody output is transistor model.
2. When products model sign, when the sign is AC-mainbody power supply is AC220V, when the sign is DC-mainbody power supply is DC24V.

### PLC Mainbody Dimension



### Expansion Module Dimension





## 7000 Series HMI



### 4G Module Products Built-in IoT Gateway

7000 series products extends 6000 series HMI high resolution and high brightness, and wide view angle. After upgrading to 1GHz 4 core high performance CPU platform, it improves human machine interface experience, 4G module built-in IoT function to provide more economic and convenient HMI IoT solutions.



#### Built-in IoT Gateway

Built-in IoT gateway function.  
Ethernet/4G networking.  
It supports Flexem cloud platform, remote configuration and downloading.  
It improves IoT application hiddency.



#### It supports eSIM

No need insert traditional SIM card.  
No card binding, no area and no Upper flow limit.  
Activation by needs and always being on-line.  
Fully-new eSIM card managing plafom.



#### 4-Core 1GHz Processor

4-core 1GHz high performance processor.  
Page changing speed improves to 40%.  
It improves user experience greatly.



Model	FE7070WE-4G	FE7100WE-4G
Display	7" 16:9 TFT LCD	10.1" 16:9 TFT LCD
LCD viewing (T/B/L/R)	85°/85°/85°/85°	
Resolution	1024×600	
Colors	24-bit	
Brightness	350 cd/m <sup>2</sup>	
Touch Panel	4 wires resistive touch screen	
CPU	1GHz, 四核CortexTM-A7	
Memory	4GB Flash+128MB DDR3	
RTC	Built in	
Ethernet	10M/100M *1	
USB Port	Type-C OTG *1	
Download Project	USB Slave/U Disk	
Com Port	COM1: RS232/RS485/RS422; COM2: RS485; COM3: RS232	
IoT Function	Built in	
Operator	China	
Networking Mode	Ethernet/4G	
Network Frequency Range	LTE FDD: B1/B3/B5/B8;LTE TDD: B38/B39/B40/B41	
VPN Transparent Transmission	Available	
Data Monitoring	300 points	
Alarm Entry	100 points	
Historical Data	30 points	
Edge Computing	20 points	
Network protocol	It support more than 100 industrial equipment protocols	
Maintenance and Management	It supports remote upgrade firmware, it supports import and export configuration files	
Power Consumption	< 10W	
Input Power	DC24V, working range DC 9V~28V	
Power Protection	Protect from thunder strike and surging	
Power Down Allowed	< 5mS	
CE&RoHS	Complied with EN61000-6-2:2005, EN61000-6-4:2007, CE RoHS, Surging Immunity:±1KV, EFT:±2KV; ESD:4KV, Air:8KV	
Operating Temperature	0~50°C	
Storage Temperature	-20~60°C	
Anti-UV	Do not work in high uv environment	
Operating Humidity	10~90%RH (No Condensate)	
Vibration Endurance	10~25Hz (X、Y、Z direction 2G/30 minutes)	
Degree of Protection	Front IP65(with NEMA panel), Back IP20	
Shell Material	Engineering plastics	
Panel Cutout	190mm×136mm	260mm×202mm
Dimension	204mm×145mm×34mm	273mm×213mm×36mm
Weight	About 472g	About 920g



Model	FE7070C	FE7070W	FE7070WE	FE7100W	FE7100WE
Display	7" 16:9 TFT LCD	7" 16:9 TFT LCD	7" 16:9 TFT LCD	10.1"16:9 TFT LCD	
LCD viewing (T/B/L/R)	50°/70°/70°/70°	85°/85°/85°/85°	85°/85°/85°/85°	85°/85°/85°/85°	
Resolution	800x480	1024x600	1024x600	1024x600	
Colors	24-bit		24-bit		
Brightness	350cd/m <sup>2</sup>		400cd/m <sup>2</sup>		
Touch Panel	4 wires resistive touch screen		4 wires resistive touch screen		
CPU	1GHz, 4-core CortexTM-A7 Processor		1GHz, 4-core CortexTM-A7 Processor		
Memory	128MB Flash + 128MB DDR3	128MB Flash + 128MB DDR3	4GB Flash + 128MB DDR3	128MB Flash + 128MB DDR3	4GB Flash + 128MB DDR3
Ethernet	NA	NA	10M/100M *1	NA	10M/100M *1
USB Port	Type-C OTG *1		Type-C OTG *1		
Download Project	USB Slave/U-disk		USB Slave/U-disk		
COM Port	COM1: RS232/RS485/RS422 COM3: RS232	COM1: RS232/RS485/RS422 COM2: RS485 COM3: RS232	COM1: RS232/RS485/RS422 COM2: RS485 COM3: RS232		
Power Consumption	<10W		<10W		
Input Power	DC24V, working range DC 9V~28V		DC24V, working range DC 9V~28V		
Power Protection	Protected from thunder strike and surging		Protected from thunder strike and surging		
Power Down Allowed	<5mS		<5mS		
CE&RoHS	Complied with EN61000-6-2:2005, EN61000-6-4:2007,		RoHS, Surge Immunity:±1KV, EFT:±2KV,ESD:4KV, Air:8KV		
Operating Temperature	0~50°C		0~50°C		
Storage Temperature	-20~60°C		-20~60°C		
Anti-UV	Do not work in strong ultraviolet light		Do not work in strong ultraviolet light		
Operating Humidity	10~90%RH (No condensation)		10~90%RH (No condensation)		
Vibration Endurance	10~25Hz(X,Y,Z direction 2G/30 minutes)		10~25Hz(X,Y,Z direction 2G/30 minutes)		
Degree of protection	Front IP65(with NEMA panel),Back IP20		Front IP65(with NEMA panel),Back IP20		
Shell Material	Engineering plastic		Engineering plastic		
Panel Cutout	190mm×136mm		190mm×136mm	260mm×202mm	
Dimension	204mm×145mm×34mm		204mm×145mm×34mm	273mm×213mm×36mm	
Weight	About 476g	About 468g	About 472g	About 890g	About 920g



# 6000 Series IoT HMI



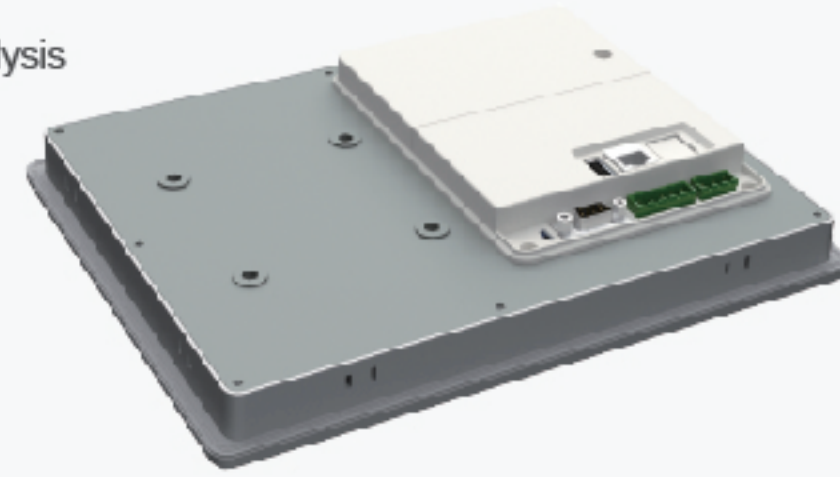
## High clearness, high brightness, full view

7"	1024×600	350cd/m2
10.1"	1024×600	400cd/m2
15.6"	1920×1080	250cd/m2



## It support Edge Computing

- Over 300 protocols local analysis
- VPN and router function
- Data storage function
- It supports MQTT



## It supports FLink IoT Expansion Module

- PLC remote downloading
- Data configuration
- Historical data checking
- Alarm Setting



## It supports Flexem Cloud platform Flexcloud

- Configuration Monitoring
- Map monitoring
- Data Statics Report
- Mobile APP



# FLink



- HMI dedicated IIoT module-FLink
- Pluggable
- 4G, WiFi, multiple internet options
- It supports FLEXEM FlexCloud platform

Model	FLink	FLink-4G-C	FLink-4G-A	FLink-WiFi-A
Network Access	Ethernet	Ethernet/4G	Ethernet/4G	Ethernet/WiFi
Network Frequency Band	NA	LTE FDD: B1/B3/B5/B8 LTE TDD: B34/B38/B39/B40/B41	LTE FDD: B1/B3/B5/B8 LTE TDD: B38/B39/B40/B41 WCDMA: B1/B8 TD-SCDMA: B34/B39 CDMA: BC0 GSM: 900/1800MHz	IEEE802.11b/g/n compatible WLAN IEEE 802.11e QoS Enhancement (WMM)
Applicable HMI Model	FE6070H FE6070WE FE6100CE FE6100WE FM6100CE FE6100M FE6156H	6000 series HMI	6000 series HMI	6000 series HMI
Data Monitoring	Available			
Historical Data	Available			
Transparent Transmission	Available			
VPN Transparent Transmission	NA	Available		
Edge Computing	Available			
API Interface	Available			
Management Maintenance	Support remote upgrade firmware, support configuration file import and export			
Data Monitoring	300 points	100 points	300 points	300 points
Alarm Entry	100 points	60 points	100 points	100 points
Historical Entry	30 points	30 points	30 points	30 points
Historical Data Retention Time	90 days	60 days	180 days	90 days
Dimension	68mm×74mm×19.5mm			
Material	Engineering plastic			
Antenna	NA	FEA-YT	FEA-WiFi	

\* FLink-4G-C only supports FE6000 series HMI selling and it does not support separate selling.



## IloT HMI Specification

Model	FE6070C	FE6070W	FE6070H	FE6070WE	FE6100C	FE6100W	FE6100CE	FE6100WE	FE6100M	FE6156H	
Display	7"16:9 TFT LCD				10.1"16:9 TFT LCD		10.1"16:9 TFT LCD		10.1"16:9 TFT LCD	15.6"16:9 TFT LCD	
LCD viewing (T/B/L/R)	50°/70°/70°/70°	85°/85°/85°/85°			85°/85°/85°/85°			85°/85°/85°/85°			
Resolution	800×480	1024×600			1024×600			1024×600	1920×1080		
Colors	24-bit	24-bit			24-bit			24-bit	16-bit		
Brightness	350 cd/m <sup>2</sup>	350 cd/m <sup>2</sup>			400 cd/m <sup>2</sup>		400 cd/m <sup>2</sup>		400 cd/m <sup>2</sup>	250 cd/m <sup>2</sup>	
Touch Panel	4-wire industrial resistance touch screen				4-wire industrial resistance touch screen						
CPU	V2:600MHz ARM Cortex-A8 V3:1.2GHz ARM Cortex-A7				V2:600MHz ARM Cortex-A8 V3:1.2GHz ARM Cortex-A7				1G ARM Cortex-A8		
Memory	V2:128MB Flash + 128MB DDR3 V3:4GB EMMC + 128MB DDR3	V2:128MB Flash + 128MB DDR3 V3:4GB EMMC + 256MB DDR3			V2:128MB Flash + 128MB DDR3 V3:4GB EMMC + 128MB DDR3		V2:128MB Flash + 128MB DDR3 V3:4GB EMMC + 256MB DDR3			256MB Flash+512M DDR3	
Ethernet	NA		10M/100M *1		NA		10M/100M *1		10M/100M *1		
USB Port	USB Slave 2.0 *1; USB Host 2.0 *1				USB Slave 2.0 *1; USB Host 2.0 *1						
Download Project	USB Slave/U-disk		USB Slave/U-disk /Ethernet		USB Slave/U-disk		USB Slave/U-disk /Ethernet		USB Slave/U-disk /Ethernet		
Com Port	COM1: RS232/RS485/RS422 COM3: RS232	COM1:RS232/RS485/RS422 COM2: RS485 COM3: RS232			COM1: RS232/RS485/RS422 COM3: RS232		COM1:RS232/RS485/RS422 COM2: RS485 COM3: RS232		COM1:RS232/RS485/RS422 COM2: RS485/RS422 COM3: RS232		
Power Consumption	< 10W				< 10W				< 18W		
Input Power	DC24V, Working range DC 9V~28V				DC24V, Working range DC 9V~28V				DC24V, Working range DC 9V~28V		
Power Protection	Protected from thunderstrike and surging				Protected from thunderstrike and surging				Isolated power module		
Power Down Allowed	< 5mS				< 5mS						
CE&RoHS	Complied with EN61000-6-2:2005, EN61000-6-4:2007, RoHS, Surge Immunity:±1KV, EFT:±2KV, ESD:4KV, Air:8KV				Complied with EN61000-6-2:2005, EN61000-6-4:2007, RoHS, Surge Immunity:±1KV, EFT:±2KV, ESD:4KV, Air:8KV						
Operating Temperature	0~50°C				0~50°C				-10~60°C	0~50°C	
Storage Temperature	-20~60°C				-20~60°C						
Anti-UV	Do not work in strong ultraviolet light				Do not work in strong ultraviolet light						
Operating Humidity	10~90%RH (no condensate)				10~90%RH (no condensate)						
Vibration Endurance	10~25Hz (X,Y,Z direction 2G/30min)				10~25Hz (X,Y,Z direction 2G/30min)						
Degree of Protection	Front IP65 (with NEMA panel, Back IP20)				Front IP65 (with NEMA panel, Back IP20)						
Shell Material	Black engineering plastic	Gray engineering plastic	Black engineering plastic	Gray engineering plastic	Black engineering plastic	Gray engineering plastic	Black engineering plastic	Gray engineering plastic	Aluminum alloy		
Panel Cutout	192mm×138mm				260mm×202mm		260mm×202mm		260mm×202mm	380mm×245mm or VESA	
Dimension	204mm×145mm×33.8mm				273mm×213mm×36mm		273mm×213mm×36mm		274mm×214mm×39mm	394mm×256mm×36mm	
Weight	About 560g				About 890g		About 920g		About 1450g	About 2250g	



# Mona Lisa Series HMI



Built-in IoT function, DOIT, Intelligent Connection.

Horizontal screen or vertical screen using for coordination.



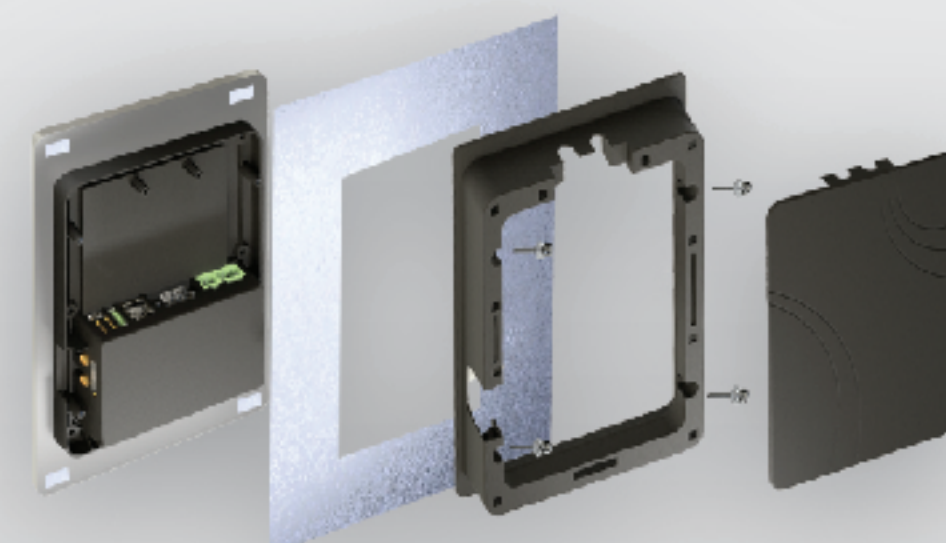
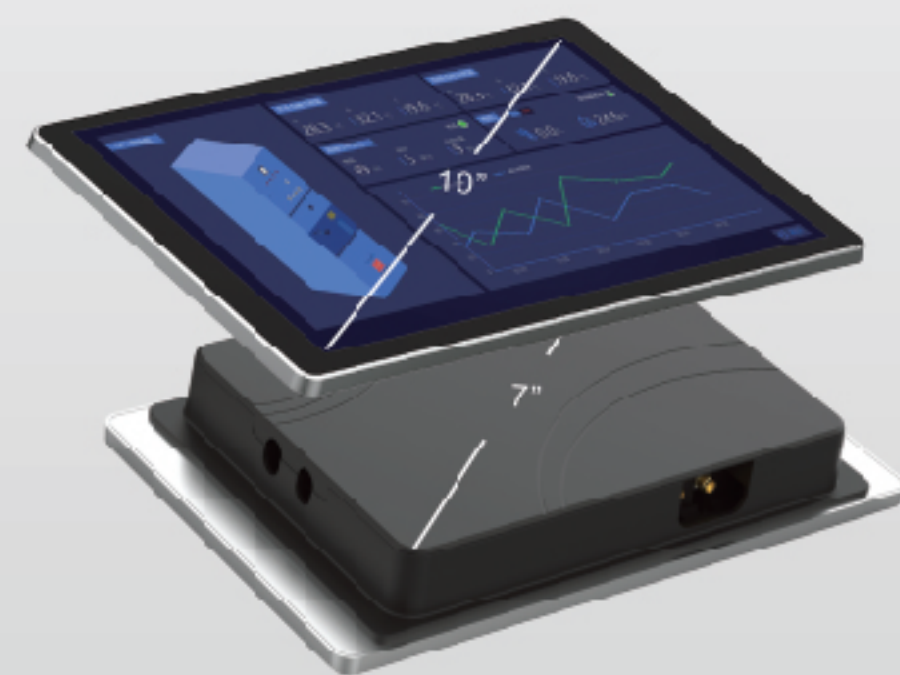
It supports Audio and Video Play.

It supports VNC remote screen projecting.



It supports 10inch outlook and 7inch hole.

It supports innovative sucking installation.



Model	F110
Display	10.1" 16:10 TFT LCD
LCD Viewing (T/B/L/R)	85°/85°/85°/85°
Resolution	Vertical screen: 800×1280; Horizontal screen: 1280×800
Colors	24-bit
Brightness	400 cd/m <sup>2</sup>
Touch Panel	Capacitive HMI
CPU	4-core 1.2G ARM Cortex-A7 Processor
Memory	4GB Flash+128MB DDR3
RTC	Built in
Ethernet	10M/100M *1
USB port	USB Type-C 2.0 *1; USB Host 2.0 *1
Download Project	Type-C /U-disk/Ethernet
COM Port	COM1: RS232/RS485/RS422; COM2: RS485; COM3: RS232
Speaker	Built in
Networking Mode	Ethernet/ 4G
Network Frequency Range	LTE FDD: B1/B3/B5/B8; LTE TDD: B34/B38/B39/B40/B41
Power Consumption	< 10W
Input Power	DC24V, Working range DC 9V~28V
Power Protection	Protected from thunderstrike and surging
Power Down Allowed	< 5mS
CE&RoHS	Complied with EN61000-6-2:2005, EN61000-6-4:2007, RoHS, Surge Immunity:±1KV, EFT:±2KV, ESD:4KV, Air:8KV
Operating Temperature	-10~60°C
Storage Temperature	-20~70°C
Anti-UV	Do not work in strong ultraviolet light
Operating Humidity	10~90%RH (no condensate)
Vibration Endurance	10~25Hz (X,Y,Z direction 2G/30 minutes)
Degree of Protection	Front IP65(with NEMA panel), Back IP20
Shell Material	Aluminum alloy front shell + ABS rear shell
Panel Cutout	Vertical screen: 138mm×192mm; Horizontal screen: 192mm×138mm
Dimension	249mm×158mm×30mm
Weight	About 1450g
VPN Transparent Transmission	Available
Data Monitoring	300 points
Alarm Entry	100 points
Historical Data	30 points
Edge Computing	20 points
Network protocol	It support more than 100 industrial equipment protocols
Remote Maintenance and Management	It supports remote upgrade firmware, it supports import and export configuration files



# FE7070IP

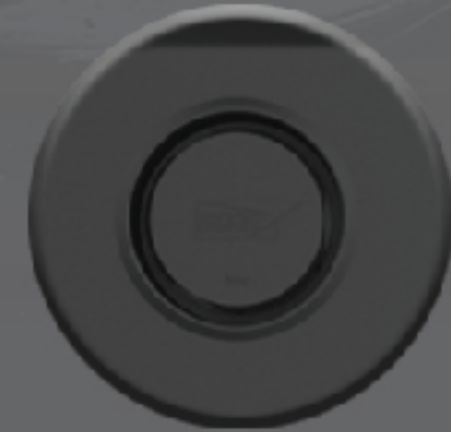
IP65 Water-proof Touch Screen



**Strong CPU Core**  
1GHz ARM Cortex-7 processor with fast speed.



**Water-proof USB/TYPE-C**  
With silicon seals cover and water drops not leaks.



**Water-proof breath valve**  
To maintain inside and outside pressure balance, temperature and water bubbles isolation.



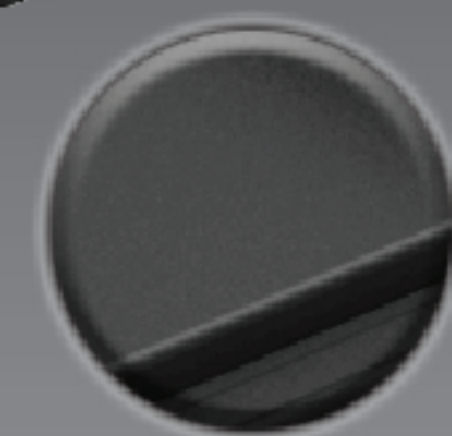
**Water-proof power communication connection**  
It used water-proof grade connection to guarantee power safety.



**Water-proof Screw**  
Anti-corrosion with no rust.



**Blind hole Buckles**  
Blind buckles design to prevent water bubbles diverting to mainboard.



**Multi-silicon Seal Circles**  
Good seal performance, high-temperature endurance, uneasily aging.

Model	FE7070IP
Display	7" 16:9 TFT LCD
LCD Viewing (T/B/L/R)	50°/70°/70°/70°
Resolution	800×480
Colors	16-bit
Brightness	350 cd/m <sup>2</sup>
Touch Panel	4-wire industrial resistance touch screen
CPU	1GHz ARM Cortex-A7
Memory	128MB Flash + 128MB DDR3
RTC	Built in
Ethernet	NA
USB Port	USB Slave Type-C *1; USB Host 2.0 *1
Download Project	USB Slave/U-disk
COM Port	COM1: RS485
Power Consumption	< 10W
Input Power	DC24V, Working range DC 9V~28V
Power Protection	Protected from thunderstrike and surging
Power Down Allowed	< 5mS
CE&RoHS	Complied with EN61000-6-2:2005, EN61000-6-4:2007, RoHS Surge Immunity:±1KV, EFT:±2KV, ESD:4KV, Air:8KV
Operating Temperature	-0~50°C
Storage Temperature	-20~60°C
Anti-UV	Do not work in strong ultraviolet light
Operating Humidity	10~90%RH (no condensate)
Vibration Endurance	10~25Hz (X,Y,Z direction 2G/30 minutes)
Degree of Protection	IP65
Shell Material	Engineering plastic
Panel Cutout	192mm×138mm ( or 190mm×136mm)
Dimension	199mm×145mm×50mm
Weight	About 500g



## Capacitive HMI



Dustproof Oilproof Anti-high temperature Moistureproof

Multi-point capacitive man-machine interface, light transmittance, scratch-resistant, no drift. High resolution, high brightness, wide viewing angle. Multi-touch, gestures, special page effects.

Model	F007N	F010
Display	7" 16:9 TFT LCD	9.7" 4:3 TFT LCD
LCD Viewing (T/B/L/R)	85°/85°/85°/85°	85°/85°/85°/85°
Resolution	1024x600	1024x768
Colors	24-bit	16-bit
Brightness	350cd/m <sup>2</sup>	350cd/m <sup>2</sup>
Touch Panel	Glass+Glass projective multi-touch capacitive HMI	
CPU	600MHz ARM Cortex-A8	
Memory	128MB Flash + 128MB DDR3	
Ethernet	10M/100M *1	
SD card	Available	
USB Port	Type-C *1 USB Host 2.0 *1	USB Device 2.0 *1 USB Host 2.0 *1
Download Project	USB Slave Port /U-disk/Ethernet	
COM Port	COM1: RS232/RS485/RS422 COM2/COM4: RS485 COM3: RS232	
Power Consumption	<6W	<8W
Input Power	DC24V, working range DC 9V~28V	
Power Protection	Protected from thunder strike and surging	
Power Down Allowed	<5mS	
CE&RoHS	Complied with EN61000-6-2:2005, EN61000-6-4:2007 RoHS, Surge Immunity:±1KV, EFT:±2KV,ESD:4KV, Air:8KV	
Operating Temperature	-10~60°C	
Storage Temperature	-20~70°C	
Anti-UV	Do not work in strong ultraviolet light	
Operating Humidity	10~90%RH (No condensation)	
Vibration Endurance	10~25Hz(X,Y,Z direction 2G/30 minutes)	
Degree of protection	Front IP65(with NEMA panel),Back IP20	
Shell Material	Aluminum alloy + Engineering plastic	
Panel Cutout	178mm×125mm	230mm×180mm
Dimension	185.1mm×130.9mm×32.6mm	247mm×197mm×31.5mm
Weight	About 600g	About 1100g

## Economic Resistive HMI



- ARM Cortex-A8 processor
- Multiple image formats, and dynamic formats
- Plastic enclosure, low cost, high reliability
- High resolution, high brightness, LED backlight
- LCD life is up to 50,000 hours
- Isolated power, the main board is treated with a special coating (three anti-paint)

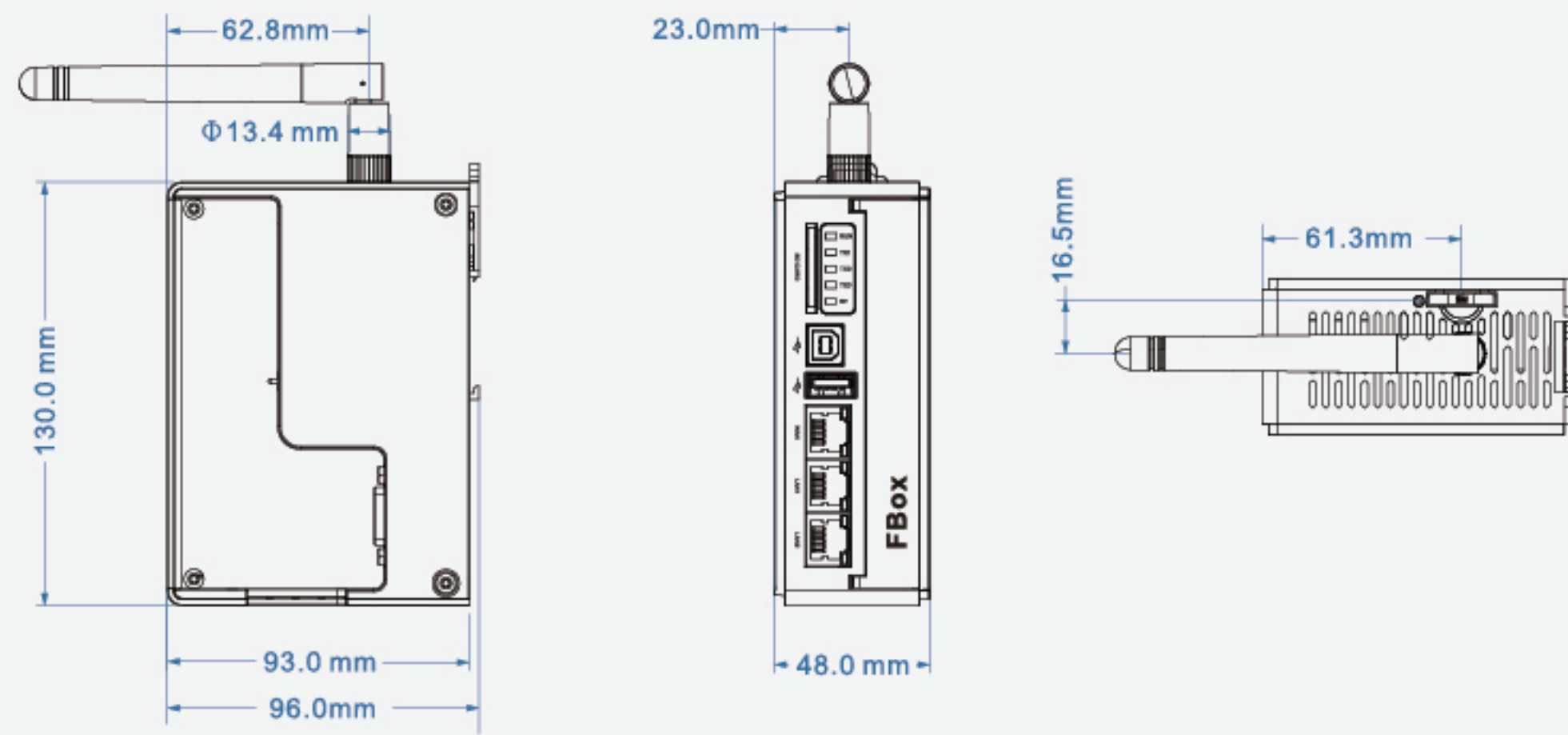
Model	FE3043H
Display	4.3" 16:9 TFT LCD
LCD Viewing (T/B/L/R)	80°/80°/80°/80°
Resolution	800×480
Colors	16-bit
Brightness	250cd/m <sup>2</sup>
Touch Panel	4-wire industrial resistance touch screen
CPU	720MHz ARM
Memory	128MB Flash+64MB DDR3
RTC	Built in
Ethernet	NA
SD card	NA
USB Port	Type-C OTG*1
Download Project	USB Slave Port/U-disk
COM Port	COM1: RS232/RS485/RS422 COM3: RS232
Power Consumption	<2.5W
Input Power	DC24V, Working range DC 9V~28V
Power Protection	Protected from thunderstrike and surging
Power Down Allowed	<5mS
CE&RoHS	Complied with EN61000-6-2:2005, EN61000-6-4:2007, RoHS, Surge Immunity:±1KV, EFT:±2KV, ESD:4KV, Air:8KV
Operating Temperature	0~50°C
Storage Temperature	-20~60°C
Anti-UV	Do not work in strong ultraviolet light
Operating Humidity	10~90%RH (no condensate)
Vibration Endurance	10~25Hz (X,Y,Z direction 2G/30 minutes)
Degree of Protection	Front IP65(with NEMA panel), Back IP20
Shell Material	Engineering plastic
Panel Cutout	132mm×80mm
Dimension	138mm×86mm×32mm
Weight	About 300g



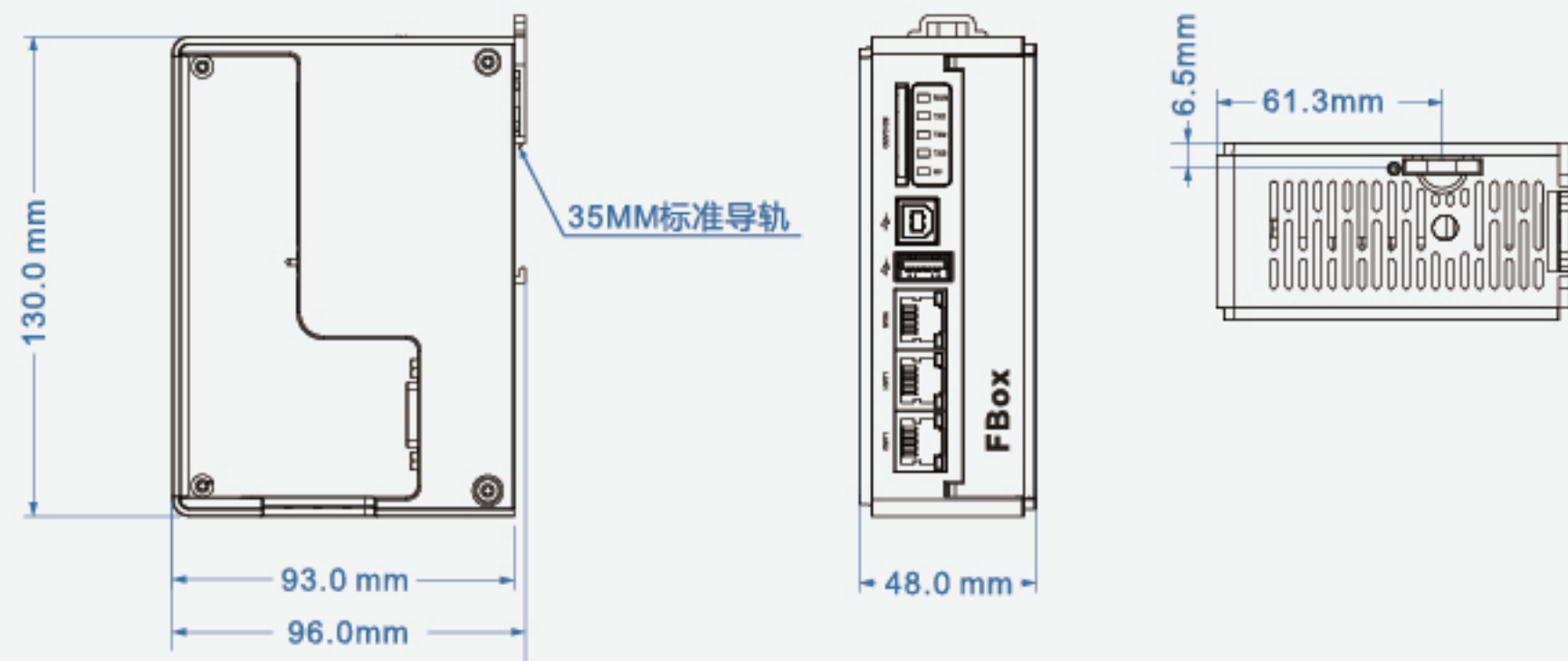
# FBox Dimension

unit: mm

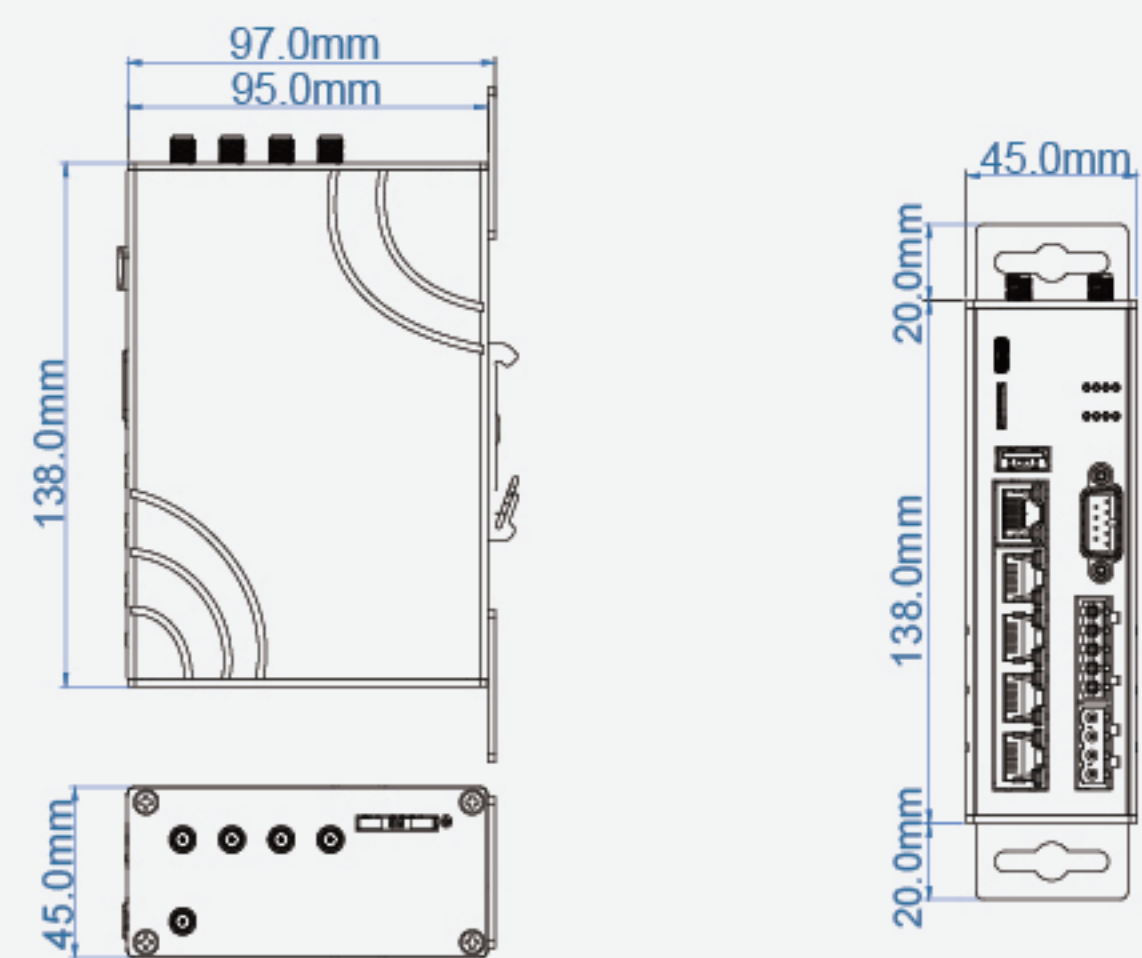
## FBox-4G/FBox-WiFi



## FBox/FBox-VPN



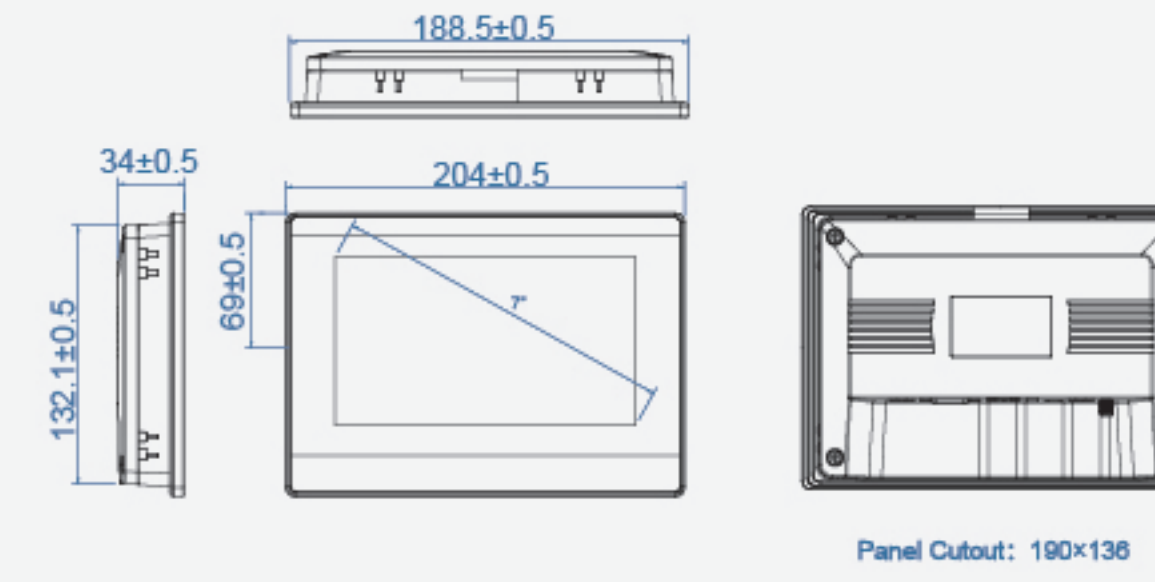
## FBox-5G



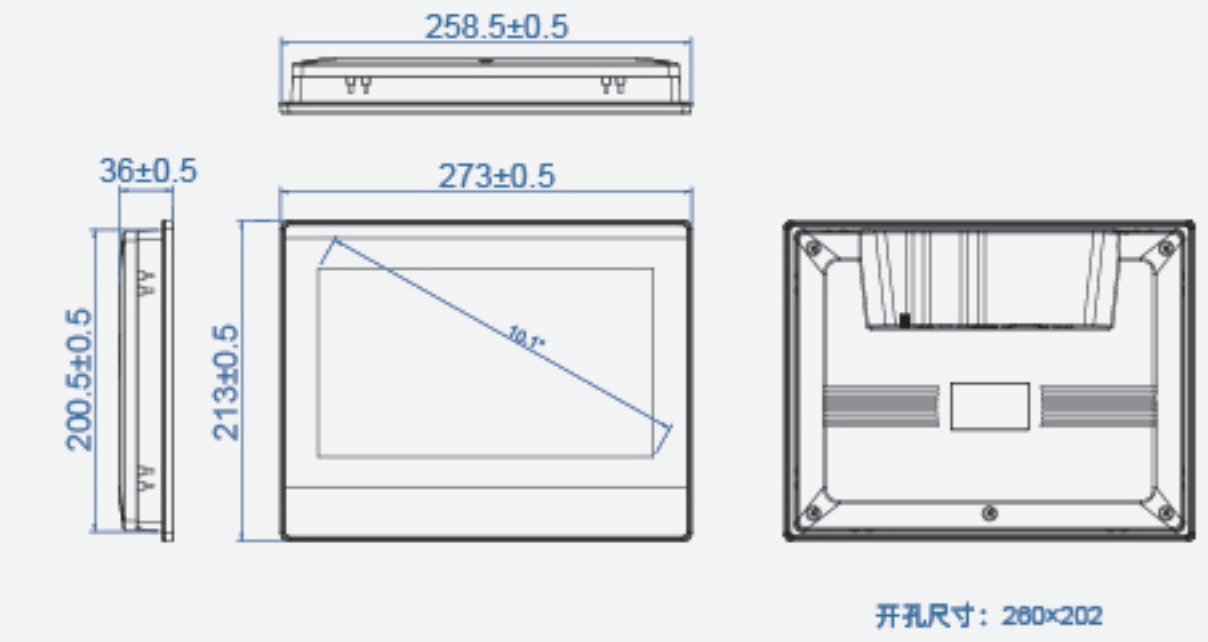
# HMI Dimension

unit: mm

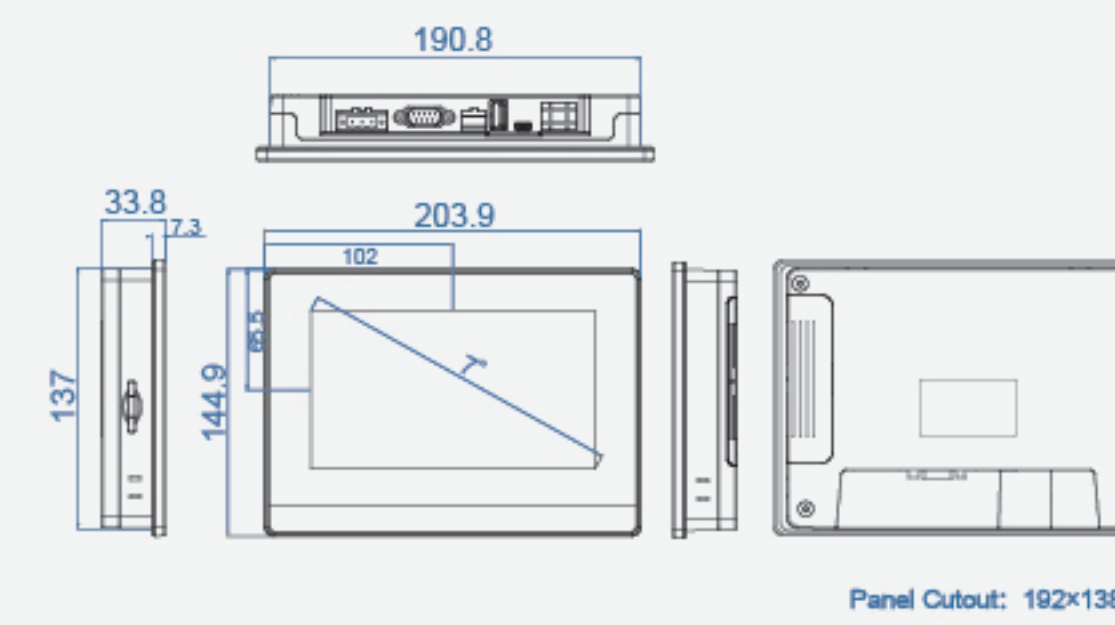
## FE7070C/W/WE/WE-4G



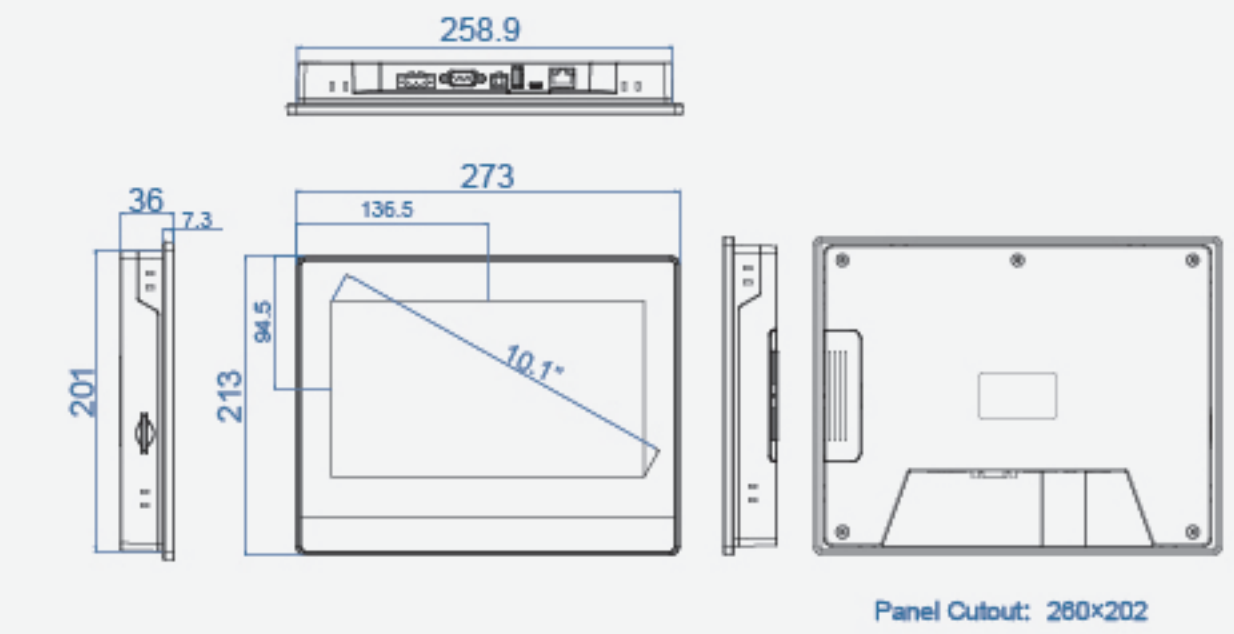
## FE7100/W/WE/WE-4G



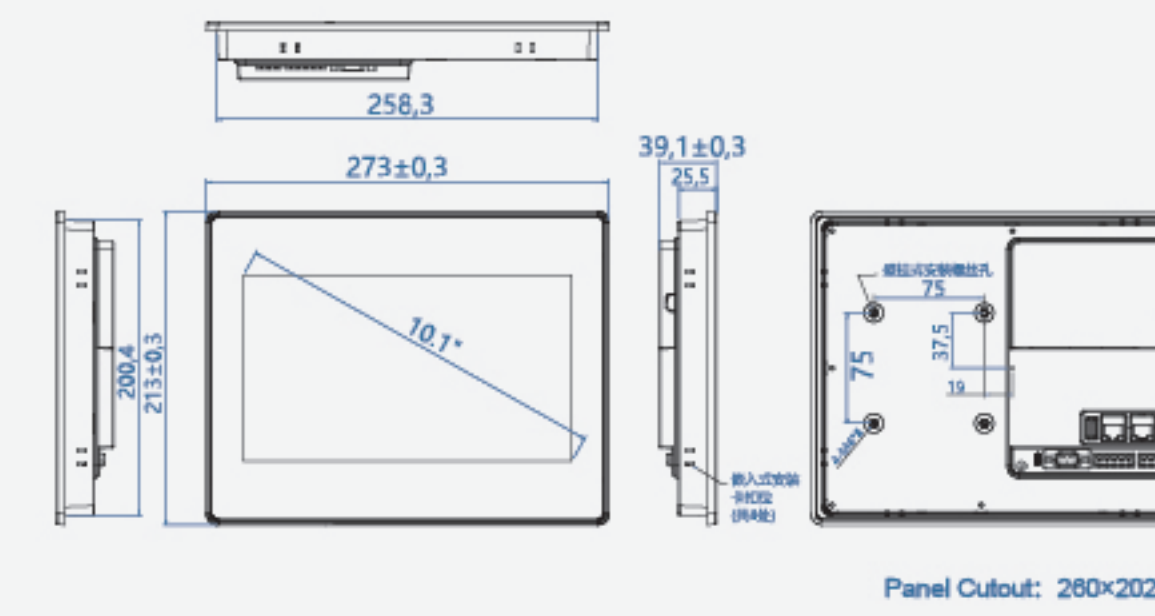
## FE6070C/H/W/WE



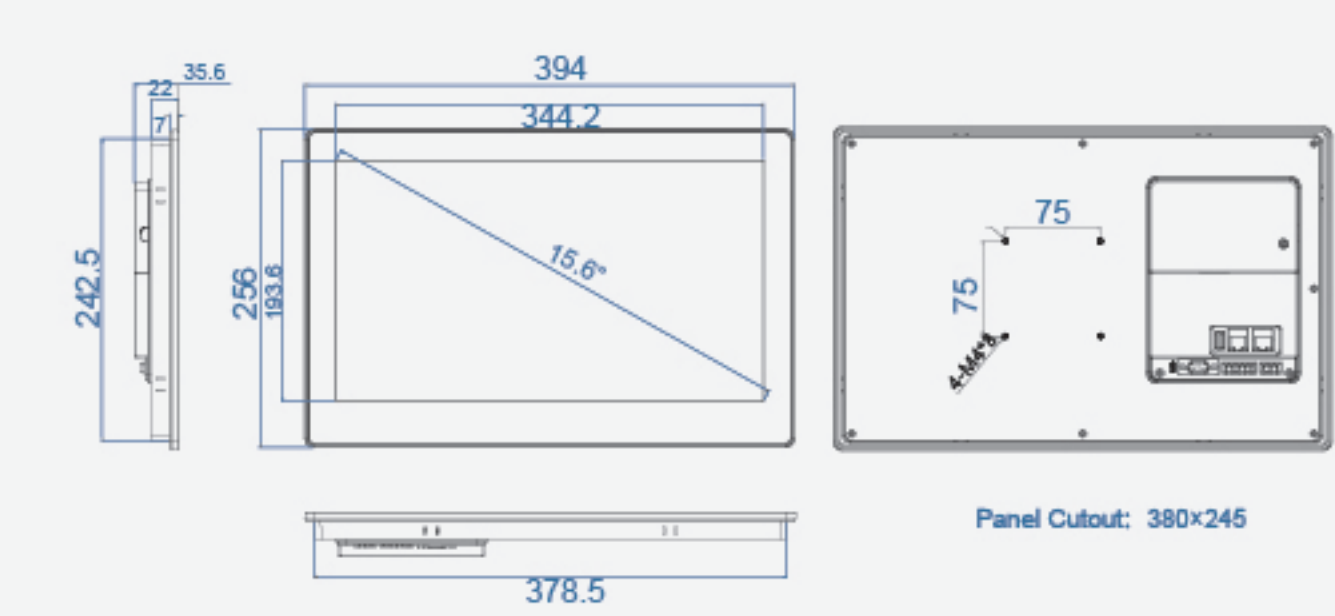
## FE6100C/CE/W/WE



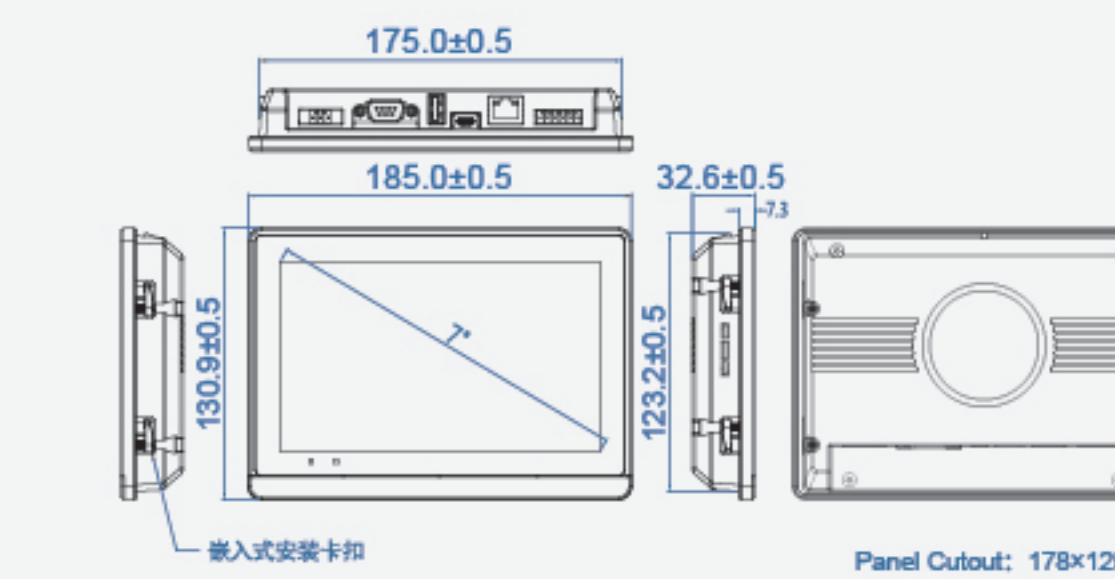
## FE6100M



## FE6156H



## F007N



## F010

